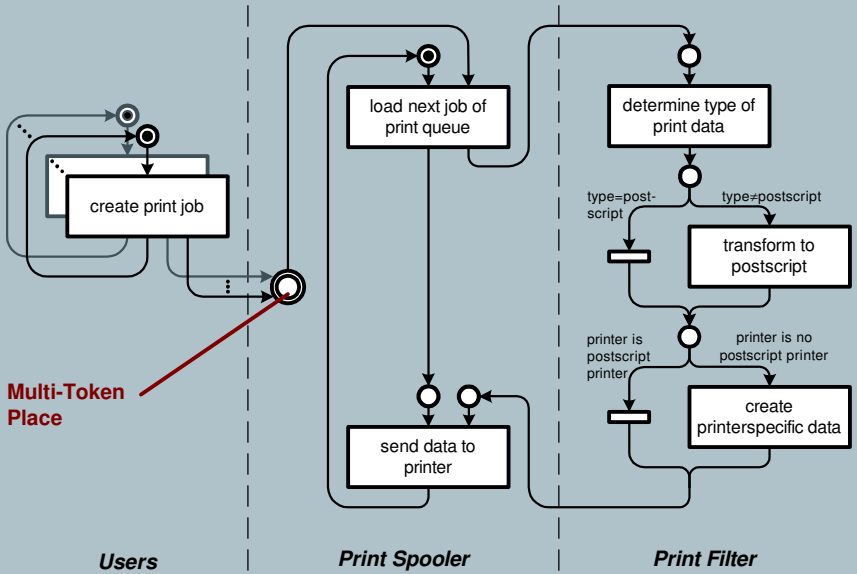
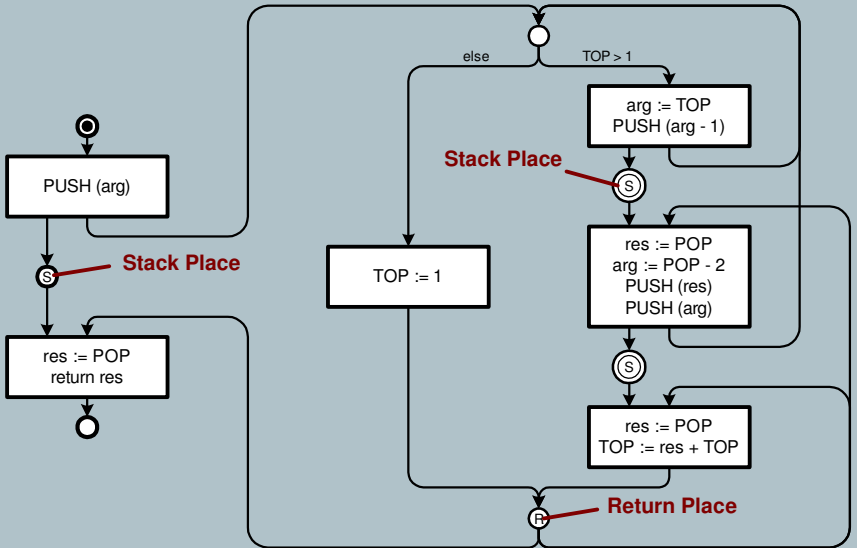


## Multi-Token Place Example - Processing Print Jobs (UNIX)



## Recursive Example - Fibonacci Series



$$\text{Fib}(\text{arg}) = \begin{cases} 1 & \text{if arg = 0} \\ 1 & \text{if arg = 1} \\ \text{Fib}(\text{arg} - 1) + \text{Fib}(\text{arg} - 2) & \text{if arg > 1, arg} \in \mathbb{N} \end{cases}$$